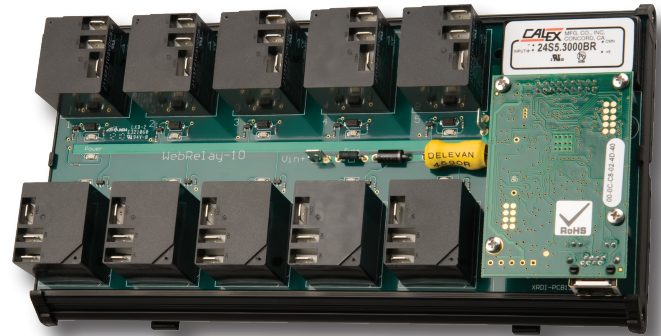


WEBRelayTM 10

Quick Start Guide

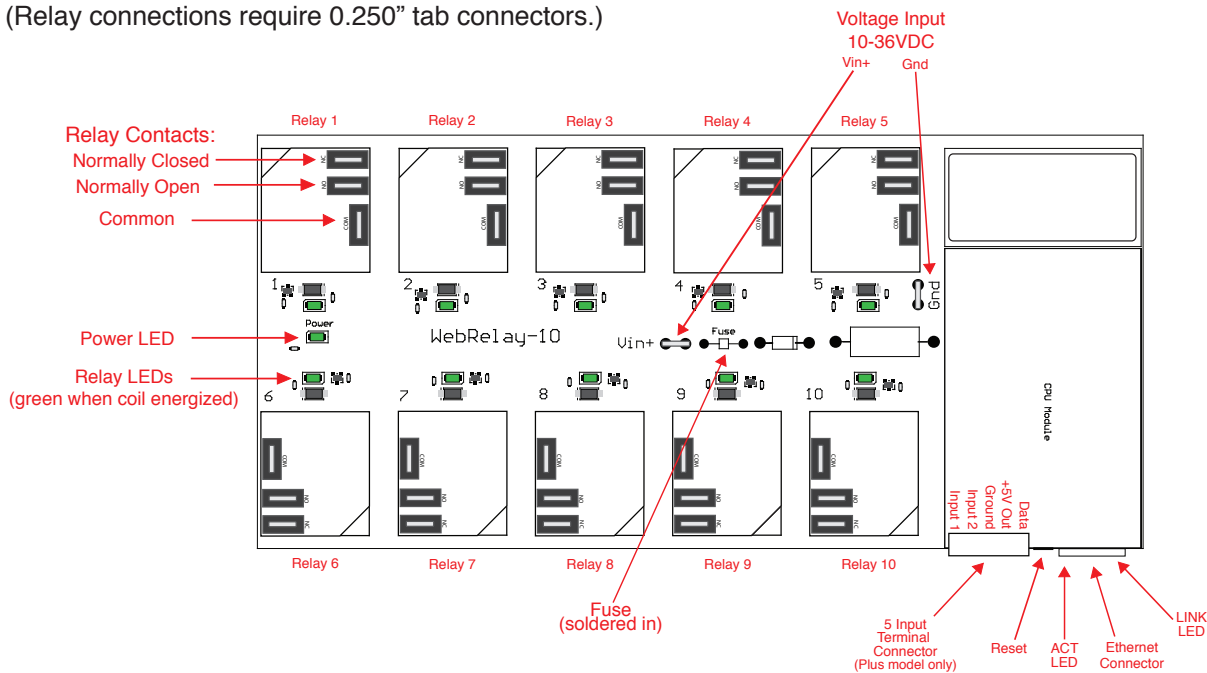
Basic Setup Steps:

- (1) Connect unit to power and network only.
(Power connections require 0.250" tab connectors.)
- (2) Set up a computer on the same network to configure WebRelay-10TM. To do this, set the IP address of the computer to 192.168.1.50 with a netmask of 255.255.255.0.
- (3) Configure WebRelay-10TM using a web browser.
Do this by pointing the browser to <http://192.168.1.2/setup.html>.
Username is admin (all lower case).
Password is webrelay (all lower case).
- (4) Set the permanent IP address in the configuration page. Restart WebRelay-10TM (remove power, re-apply power).
After restarting the unit, set your computer back to its original settings and access WebRelay-10TM at its new IP address.
- (5) Connect relay contacts.
(Relay connections require 0.250" tab connectors.)



Factory Default Settings

Default IP Address: 192.168.1.2
 Subnet Mask: 255.255.255.0
 Setup Page Access: <http://192.168.1.2/setup.html>
 Username: admin
 Control Page Password: *no password set*
 Setup Pages Password: webrelay (all lower case)



Full Users Manual may be downloaded from
<http://www.ControlByWeb.com>

For technical support, email questions to
support@ControlByWeb.com

CONTROL by
WEBTM
www.ControlByWeb.com

a division of...
 Xytronix Research & Design, Inc.
 Nibley, Utah, USA