



X-300™ Quick Start Guide

Basic Setup Steps:

- (1) Connect unit to power and network.
- (2) Set up a computer on the same network as the input module. To do this, set the IP address of the computer to 192.168.1.50 with a netmask of 255.255.255.0.
- (3) Configure the X-300 using web browser. Do this by pointing browser to <http://192.168.1.2/setup.html>.

Username is **admin** and password is **webrelay** (all lower case).

- (4) Set the permanent IP address in the configuration page. Restart the X-300 (remove power, re-apply power).

After restarting the X-300, set the computer back to its original settings and access the X-300 at its new IP address.

Factory Default Settings

IP Address: 192.168.1.2
 Subnet Mask: 255.255.255.0
 Control Web Address: <http://192.168.1.2>
 Setup Web Address: <http://192.168.1.2/setup.html>
 Setup Username: admin
 Setup Password: webrelay (all lower case)
 Control Password: no password set
 Mode: Thermostat Mode***

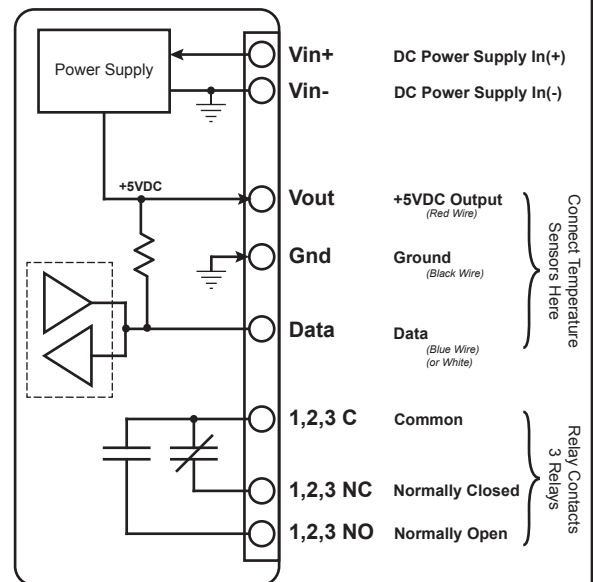
*** Note: Changing modes requires that the internal reset button (access through hole on bottom) be pressed less than 60 seconds before mode change.

Full Users Manual may be downloaded from
<http://www.ControlByWeb.com>

For technical support, email questions to
support@ControlByWeb.com



Pinout



Note: The X-300 can be configured to operate at 10Mbps or 100Mbps. For best power savings and long term performance the 10Mbps setting is recommended.



a division of...
 Xytronix Research & Design, Inc.
 Nibley, Utah, USA