



## X-320™/ X-320M™ Quick Start Guide

### BASIC SETUP STEPS

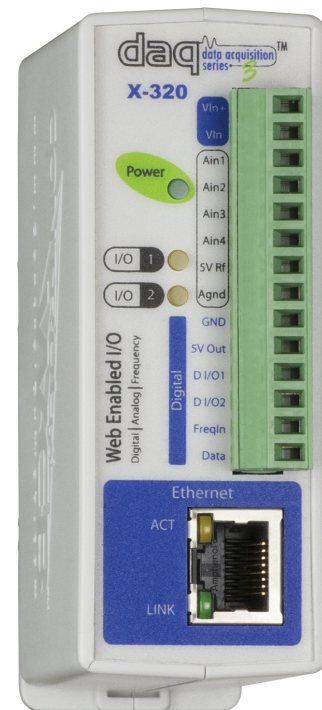
1. Connect the module to power and a network.
2. Set up a computer on the same network as the module. To do this, set the IP address of the computer to 192.168.1.50 with a netmask of 255.255.255.0
3. Configure the module using a web browser. Do this by pointing the browser to:  
`http://192.168.1.2/setup.html`  
 Username is admin and password is webrelay (all lower case).
4. Set the permanent IP address in the configuration page. Restart the module (remove power, re-apply power).
5. After restarting the module, set the computer back to its original settings and access the module at its new IP address.

### FACTORY DEFAULT SETTINGS:

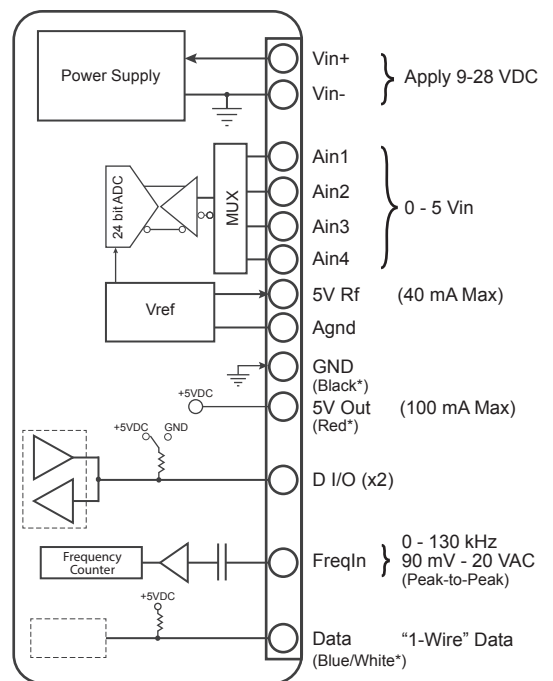
**IP Address:** 192.168.1.2  
**Subnet Mask:** 255.255.255.0  
**Control Web Address:** `http://192.168.1.2`  
**Control Password:** (no password set by default)  
**Setup Web Address:** `http://192.168.1.2/setup.html`  
**Setup Username:** admin  
**Setup Password:** webrelay (all lower case)

**Full Users Manual may be downloaded from:**  
<https://www.ControlByWeb.com/support/>

**For technical support, email questions to:**  
[support@ControlByWeb.com](mailto:support@ControlByWeb.com)



Pinout



\* 1-Wire Temperature Sensor Connections

