

Basic Setup Steps

1. Power the module and tap the “Network Setup” tab on the right of the touch screen. *(Tap the screen if it's not visible)*
2. Tap either Ethernet Settings or Wireless Settings.
 - a. • **Ethernet** - Enable DHCP.
 - OR
 - **Wireless** - Enable Wireless. Select your network and security. Enter the password, then enable DHCP.
 - b. Assign the module a static IP address. *(Disable DHCP to see the blue “IP” box and network information)* Tap a box to expand it, then enter the desired network information.
3. Tap the “Back” button, then tap Reboot.
4. Tap the “Info” tab to see the IP address. *(e.g. 192.168.1.5)*

Factory Default Settings

Control Page Web Address: `http://192.168.1.2`

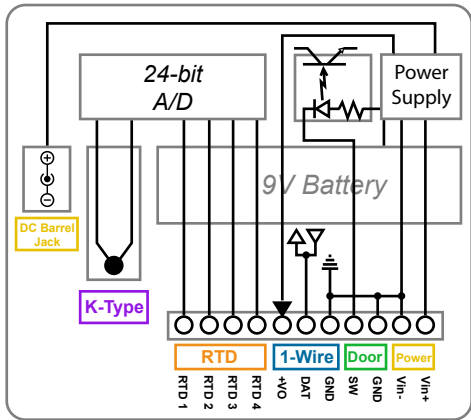
Setup Page Web Address: `http://192.168.1.2/setup.html`

Setup Username: `admin`

Setup Password: `webrelay` *(all lower case)*

See users manual for setup instructions:
www.ControlByWeb.com/support/

FridgeAlert | Pinout Diagram



Vin+	Power Supply Input (9-28VDC)
Vin-	Power Supply Input (Ground)
RTD 1-4	2/3/4 Wire RTD; PT 100/1000 (5k Ohm Max)
1-Wire	GND: Ground for 1-Wire Sensors
	DAT: Data
	+Vo: +5VDC Output
Door	GND: Ground for Door
	SW: Switch Closure Input
K-Type	Omega Mini Thermocouple Connector
Battery	Low Power Mode, Maintain Real-Time Clock
	Insert after installation to avoid draining the battery.



www.ControlByWeb.com

1681 West 2960 South, Nibley, UT 84321, USA