

## Basic Setup Steps

---

1. Power the module and connect to network.
2. Set IP address on computer to be on the same network as the module. (Example: Set computer to 192.168.1.50)
3. To configure the module, open a web browser and enter:  
`http://192.168.1.2/setup.html`
4. Assign permanent IP address to module, then restart module.
5. Restore computer's IP address, if necessary, and access the module at its new IP address to finish setup.

## Factory Default Settings

---

**IP Address:** 192.168.1.2

**Subnet Mask:** 255.255.255.0

**Control Page Web Address:** `http://192.168.1.2`

**Control Password:** *(no password set)*

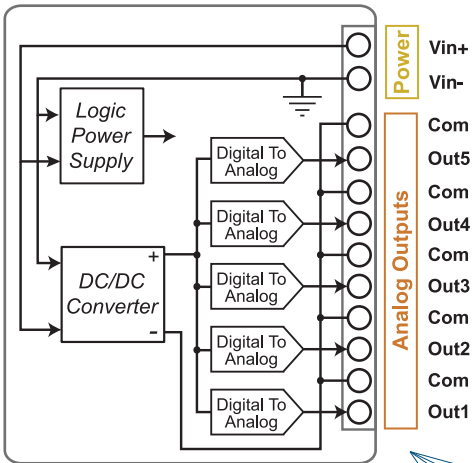
**Setup Page Web Address:** `http://192.168.1.2/setup.html`

**Setup Username:** admin

**Setup Password:** webrelay *(all lower case)*

# X-317 | Pinout Diagram

- Vin+ : Power Supply Input (9-28VDC)
- Vin- : Power Supply Input (Ground)
- Com 1-5 : Analog Common (Isolated from Vin-)
- Out 1-5 : 0-5V,  $\pm 5V$ , 0-10V,  $\pm 10V$ , 4-20mA Output



- Power**
  - Vin+
  - Vin-
- Analog Outputs**
  - Com
  - Out5
  - Com
  - Out4
  - Com
  - Out3
  - Com
  - Out2
  - Com
  - Out1