

XW-110 Plus | Quick-Start Guide

1. Connect the module to power (Two AA batteries or 5VDC).
2. On a computer, scan for open Wi-Fi networks & connect to the SSID:
XW110P-[Last six digits of Serial Number]
3. If no Wi-Fi network is found called XW110P-[Last six digits of Serial Number], remove the front cover and press the 'Access Point' button for 2 seconds.
4. Once connected, open a web browser and enter:
`http://192.168.1.2/setup.html`
5. Enter local Wi-Fi network settings and power cycle the module.
(You can also establish communications using WPS. See users manual.)
6. The module will now attempt to connect to the specified Wi-Fi network.
7. Reconnect computer to Wi-Fi network and access the module through the Wi-Fi network to finish setup.

Factory Default Settings

SSID: XW110P-[Last six digits of Serial Number]

Control Page Web Address: `http://192.168.1.2`

Control Password: *(no password set)*

Setup Page Web Address: `http://192.168.1.2/setup.html`

Setup Username: admin

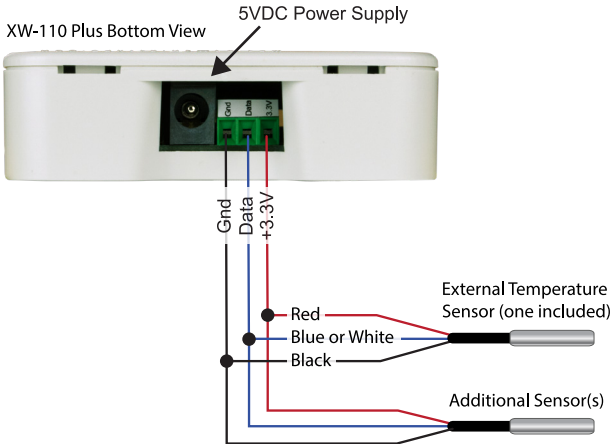
Setup Password: webrelay *(all lower case)*

See users manual for setup instructions:

www.ControlByWeb.com/support/

Rev 2.2

XW-110 Plus | Wiring Diagram



CONTROL
by
WEB™

www.ControlByWeb.com

1681 West 2960 South, Nibley, UT 84321, USA